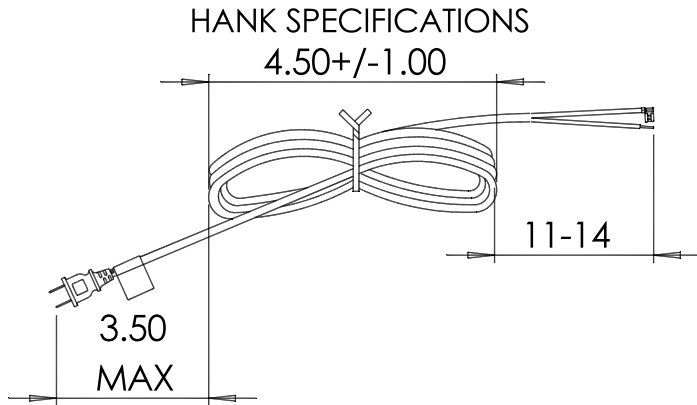
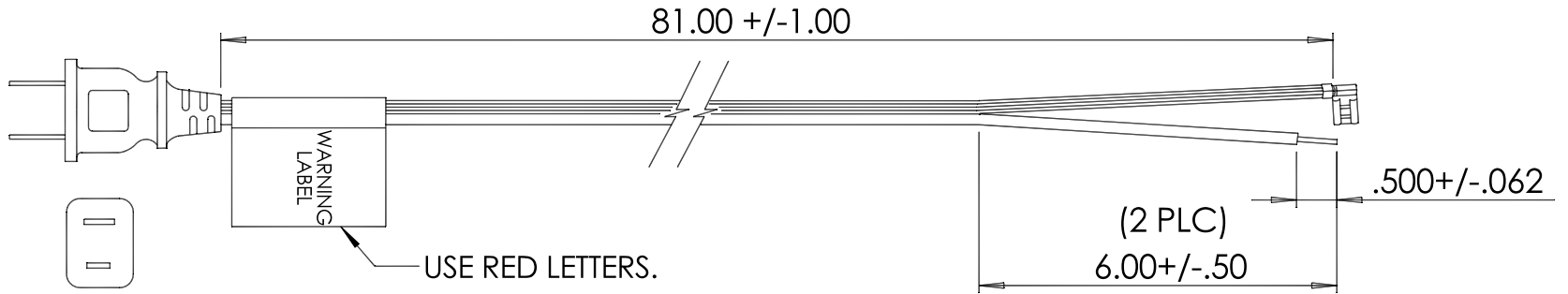


**PROPRIETARY AND CONFIDENTIAL**

THE INFORMATION CONTAINED IN THIS DRAWING IS THE SOLE PROPERTY OF Electri-Cord Manufacturing. ANY REPRODUCTION IN PART OR AS A WHOLE WITHOUT THE WRITTEN PERMISSION OF Electri-Cord Manufacturing IS PROHIBITED.

DATE	ECO	SYM	DESCRIPTION	AUTH.	DWN.	APP.
6/15/05	0000	A	RELEASE FOR PRODUCTION	--	ERR	--



**CORD SET SPECIFICATIONS**

**ELECTRI-CORD**  ELECTRI-CORD MFG. CO.  
 312 EAST MAIN STREET  
 WESTFIELD, PA 16950  
 www.electri-cord.com  
 ph. 814-367-2265

1. Wire Specifications - 16/2 HPN 105 °C	COLOR BLACK	DRAWN BY E ROOT
2. Packaging Specifications - TWIST TIE HANK		DATE 6/15/05
3. Connector End Details - --	COLOR --	APPROVED BY --
4. Plug End Details - LP-5W	COLOR BLACK	DATE -/-/-
5. Approval Requirements - UL,CSA		COMMENTS 13 AMP/250 V
6. Other - CRIMPED CONNECTION BETWEEN WIRE AND BLADE TO BE SOLDERED OR RESISTANCE WELDED BEFORE PLUG IS MOLDED ON.		DO NOT SCALE DRAWING

CUSTOMER	ECM
ECM DWG. NO.	PCLT66402
CUSTOMER P/N	---
CUSTOMER SIGNATURE	

REV. A  
REV. -