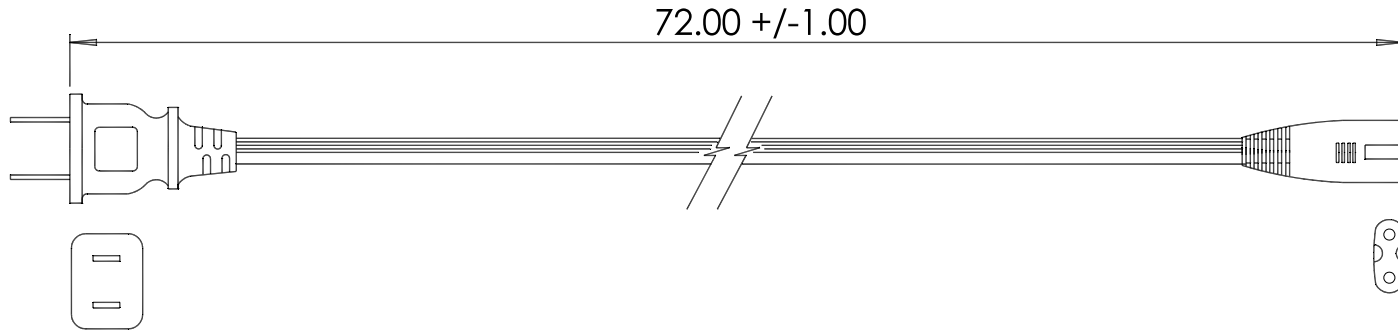


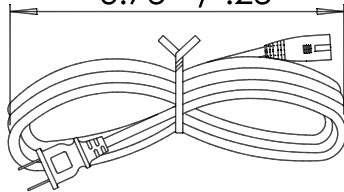
**PROPRIETARY AND CONFIDENTIAL**

THE INFORMATION CONTAINED IN THIS DRAWING IS THE SOLE PROPERTY OF Electri-Cord Manufacturing. ANY REPRODUCTION IN PART OR AS A WHOLE WITHOUT THE WRITTEN PERMISSION OF Electri-Cord Manufacturing IS PROHIBITED.

DATE	ECO	SYM	DESCRIPTION	AUTH.	DWN.	APP.
6/14/05	0000	A	RELEASE FOR PRODUCTION	--	ERR	--




**HANK SPECIFICATIONS**  
6.75 +/- .25



**CORD SET SPECIFICATIONS**

1. Wire Specifications - 18/2 SPT-2 60 °C	COLOR BLACK	DRAWN BY E ROOT
2. Packaging Specifications TWIST TIE HANK(BOTH ENDS INSIDE BODY)		DATE 6/14/05
3. Connector End Details - LC-7C	COLOR BLACK	APPROVED BY --
4. Plug End Details - LP-5 (NON-POLARIZED)	COLOR BLACK	DATE -/-/-
5. Approval Requirements - UL,CSA		COMMENTS 7 AMP/125 V
6. Other - --		

DO NOT SCALE DRAWING



ELECTRI-CORD MFG. CO.  
312 EAST MAIN STREET  
WESTFIELD, PA 16950  
www.electri-cord.com  
ph. 814-367-2265

CUSTOMER	<b>ECM</b>	
ECM DWG. NO.	<b>PCLT65732</b>	REV. <b>A</b>
CUSTOMER P/N	----	REV. <b>D</b>
CUSTOMER SIGNATURE		

5

4

3

2

1