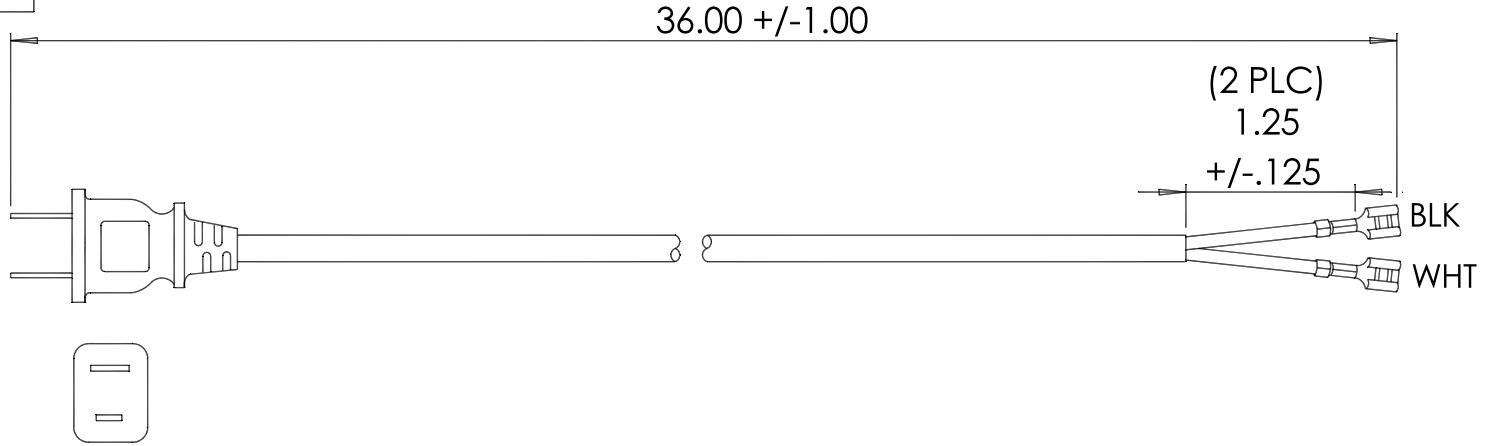


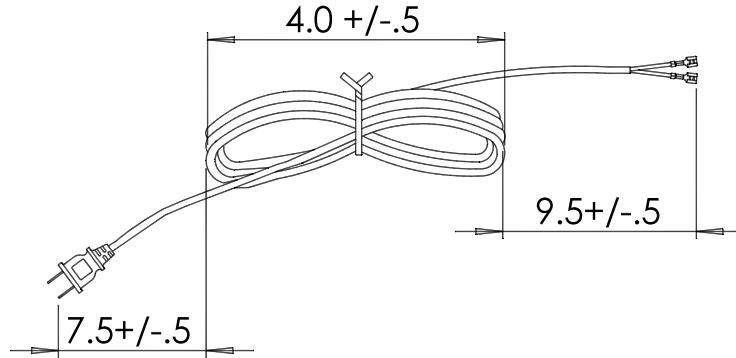
PROPRIETARY AND CONFIDENTIAL

THE INFORMATION CONTAINED IN THIS DRAWING IS THE SOLE PROPERTY OF Electri-Cord Manufacturing. ANY REPRODUCTION IN PART OR AS A WHOLE WITHOUT THE WRITTEN PERMISSION OF Electri-Cord Manufacturing IS PROHIBITED.

DATE	ECO	SYM	DESCRIPTION	AUTH.	DWN.	APP.
6/14/05	0000	A	RELEASE FOR PRODUCTION	--	ERR	--




HANK SPECIFICATIONS



NOTE:
BLACK & WHITE CONDS. TERMINATED WITH .250 FASTON TERMINALS (BRASS ONLY).

CORD SET SPECIFICATIONS

1. Wire Specifications - 18/2 SJT 60 °C	COLOR BLACK	DRAWN BY E ROOT
2. Packaging Specifications - TWIST TIE HANK WITH TAIL		DATE 6/14/05
3. Connector End Details - --	COLOR --	APPROVED BY --
4. Plug End Details - NEMA 1-15P Polarized	COLOR BLACK	DATE -/-/-
5. Approval Requirements - UL,CSA		COMMENTS 10 AMP/125 V
6. Other - --		
DO NOT SCALE DRAWING		

		ELECTRI-CORD MFG. CO. 312 EAST MAIN STREET WESTFIELD, PA 16950 www.electri-cord.com ph. 814-367-2265	
		ECM	
CUSTOMER		ECM	
ECM DWG. NO.	PCLT65622	REV.	A
CUSTOMER P/N	----	REV.	D
CUSTOMER SIGNATURE			